

Installation instructions

2016-07-06

Kebony Norge AS

Tel +47 06125

www.kebony.com

info@kebony.com



Kebony Roofing

General information

The base construction must be completed in accordance with good building practise, applicable standards and regulations. For wood roofs, two conditions are particularly important:

1. The underroof must be sealed to prevent moisture from penetrating the building.
2. There should be sufficient lathing to provide good ventilation between the roof and underroof – laths less than 30 x 48 mm are not recommended.

For information about cleaning and maintenance, refer to Kebony's Use & Maintenance documentation.

Mounting

Rust-proof (A2) or acid-proof (A4) screws must be used. Mounting fixtures with another type of corrosion protection can result in black stains around the mounting holes.

In order to prevent the ends of the boards from cracking, always predrill the edge of the board before mounting.

Metal fixtures

Kebony can be used with aluminium fixtures and enamelled or foiled fixtures without discolouration.

However, in some cases surface water runoff from Kebony products can result in discolouration of adjoining materials, for example black stains on zinc plated fixtures/fittings, or copper fixtures where exposed parts of the fixtures remain polished.

Drainage from galvanized or iron-based fixtures onto Kebony products can result in black stains on the wood.

Board orientation

Shiplap roofing should be installed so that the drainage track faces up (figure 1).

Rectangular roofing boards should be installed so that the drainage tracks face up on the under-layer and down on the top-layer. (figure 2.)

Installation

Shiplap roofing boards (figure 1) should be installed with one screw for each stud. Insert the screw in the middle of each visible surface. Kebony is dried during production and therefore there may be some swelling when it is installed outdoors. The roof is installed with a 4 mm minimum gap opening.

For rectangular roofing boards (figure 2), attach the joist with one screw in each stud, and secure the lintel with two screws in each stud. Screws must never go through two overlapping boards. Make sure that the groove in the lintel and joists are exactly aligned on top of each other.

Installation instructions

2016-07-06

Kebony Norge AS

Tel +47 06125

www.kebony.com

info@kebony.com



Insert the screw in the middle of the visible surface. Screw holes at the end of the boards should be pre-drilled.

It is important that screws do not go through the underroof.

When jointing roof boards, ends must be angled and the joint placed over a lath. Make sure that jointing boards have the annual rings oriented in the same direction.

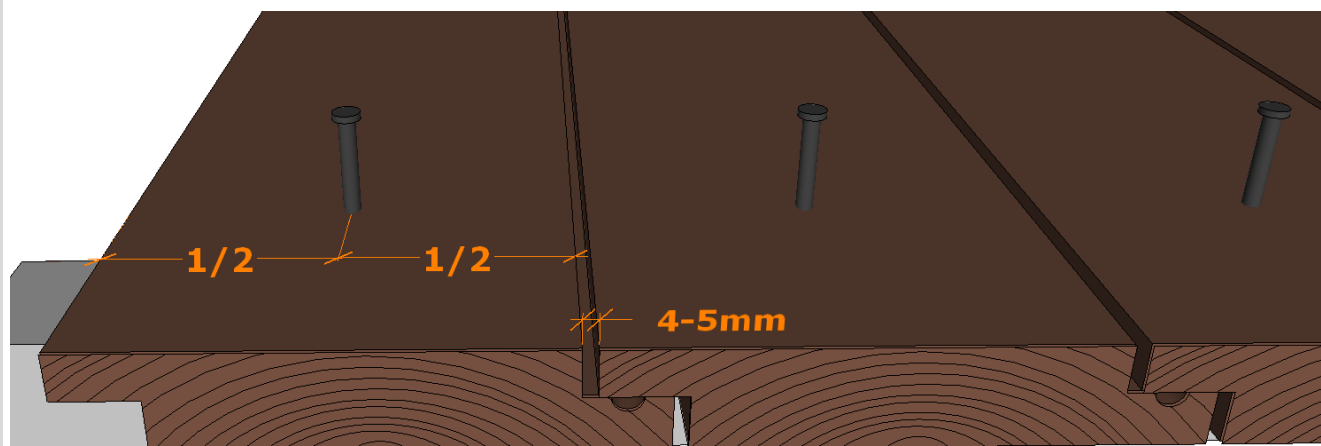


Figure 1 Installing pleated roofing boards

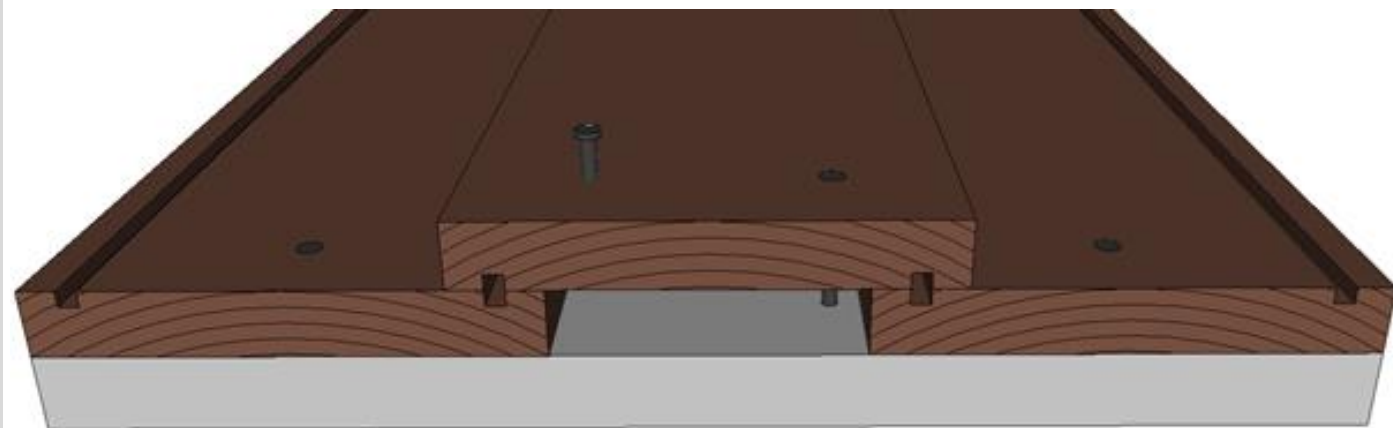


Figure 2 Installing rectangular roofing boards

Treatment of cut ends and surface treatment

Kebony roofing boards do not require any surface treatment. If desired, UV-protective wood oil or stain can be used to maintain some of the original brown colour. If desired, wood pitch or stain can be used to set the colour on the roof. Remember that surface treatments require regular maintenance.

Cut surfaces on Kebony character (Scots Pine) products must be treated with an anti-parasite/fungal agent. Follow the manufacturer's instructions.